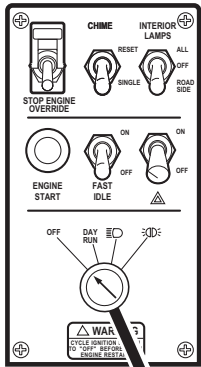
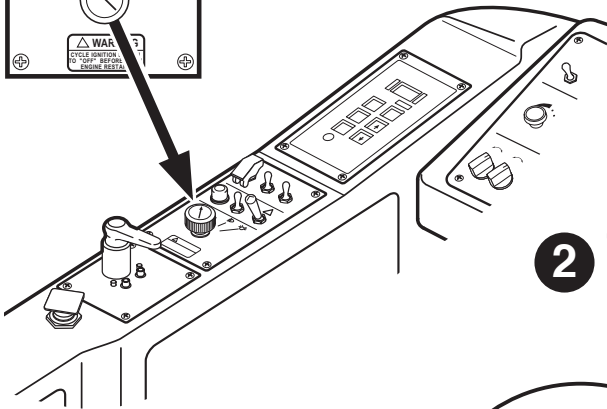


OPERATOR'S EMERGENCY MANUAL SHUTDOWN For GILLIG CNG BUS

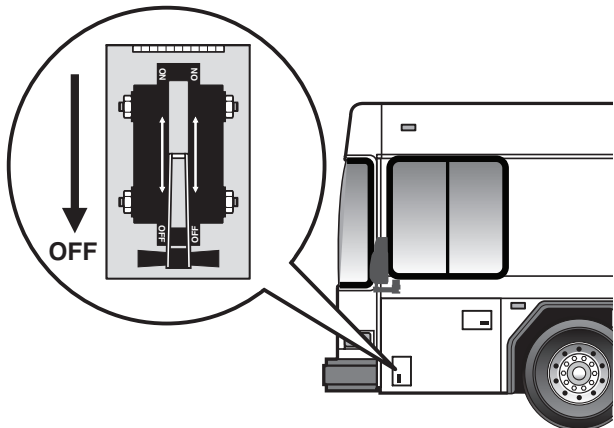
**THE FOLLOWING ACTIONS WILL
SHUT DOWN THE CNG BUS:**



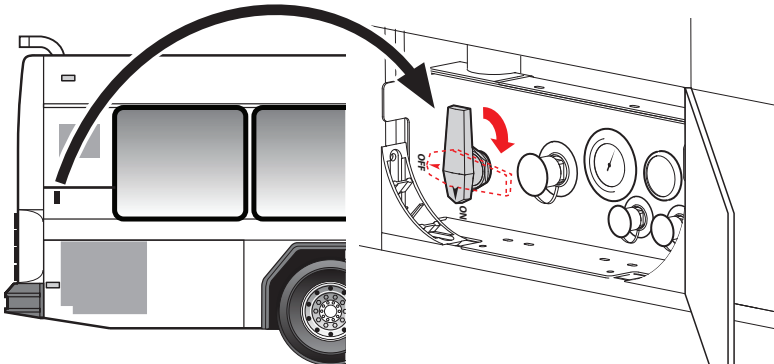
1 TURN IGNITION SWITCH TO "OFF" and SET PARKING BRAKE



2 TURN OFF BATTERY DISCONNECT SWITCH (Street-side, *Front* of Bus)



3 SHUT OFF MAIN FUEL SUPPLY TO ENGINE AT 1/4-TURN VALVE (Curb-side, *Rear* of Bus)



4 INFORM EMERGENCY PERSONNEL!
(See other side of this card.)



EMERGENCY RESPONSE GILLIG CNG BUS



WARNING

Storage pressure of CNG (Compressed Natural Gas) is up to 4,000 psi. **Avoid cutting all fuel supply piping.**

See reverse of this card for system shutdown information.



WARNING

Beware of any fire, sparks, or electrostatic charges before approaching the vehicle.



WARNING

Gas may be present in fuel lines after all valves have been turned off.



WARNING

In the event of a fire: All tanks are equipped with thermal activated pressure relief devices that will vent fuel stored in the tanks. These devices activate at approximately 217°F and vent fuel upward.

