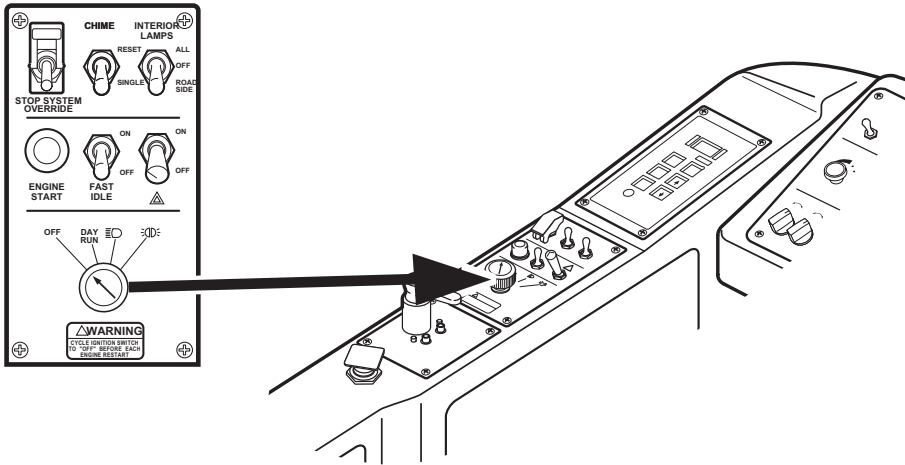


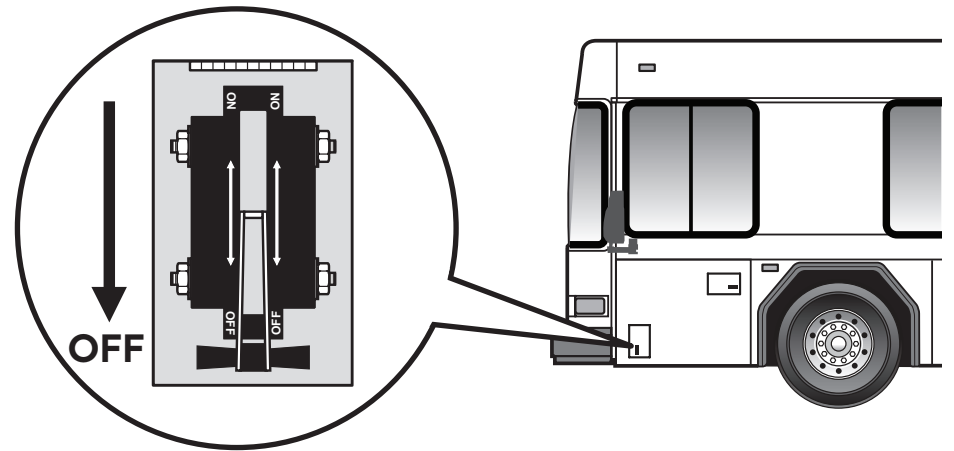
# EMERGENCY MANUAL SHUTDOWN

For GILLIG Diesel Bus

- 1 Turn master run control to “OFF” and set parking brake



- 2 Turn off battery disconnect switch (Streetside, Front of Bus)



**GILLIG**

51-82371-005  
©2020 GILLIG LLC