

# Cadillac ELR

## Quick Reference Sheet

### Vehicle Identification

The Cadillac ELR badging is one method of identifying the vehicle. The vehicle's logo is located on the left rear deck lid.



A unique Liquid Crystal Display (LCD) instrument panel cluster and center display also assist in identifying the Cadillac ELR.

*Instrument Panel Cluster*

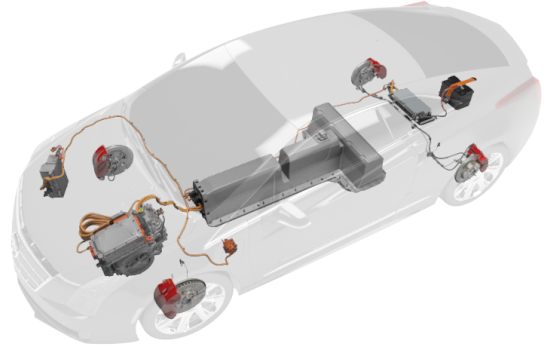


*Energy Display*



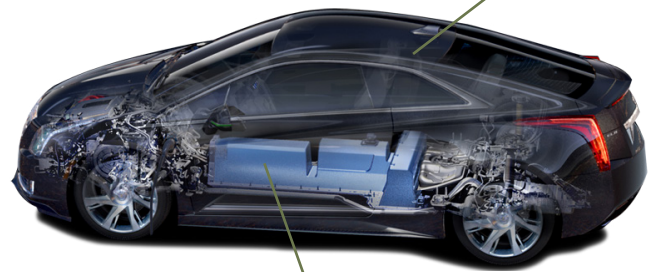
### High Voltage Cables - DO NOT CUT ZONES

**DANGER:** Do NOT cut the orange high voltage 360 volt cables. Cutting these cables can result in serious injury or death. No matter what disable method you have performed, always assume the high voltage cables and components contain high voltage.



### Vehicle - DO NOT CUT ZONES

*DO NOT CUT HERE. Side curtain airbags and lift gate hold open struts.*



*DO NOT CUT HERE. The ELR battery has 360 volt electrical potential at all times. It is inside the center tunnel and under the rear seat area.*

Do NOT cut or strike the:

- roof rail area above the windows, contains airbag
- lower center pillar areas forward of the rear tires, contains airbag sensors
- middle of the doors, contains airbag sensors
- front seat back on the outboard side, contains side airbags
- outboard area of the front seat lower frame, houses a seat belt pretensioner

**WARNING:** Do NOT cut into the vehicle until the 12 volt electrical system has been disabled. Cutting into the vehicle prior to disconnecting and isolating the 12 volt electrical energy sources may cause airbag deployment resulting in serious injury.

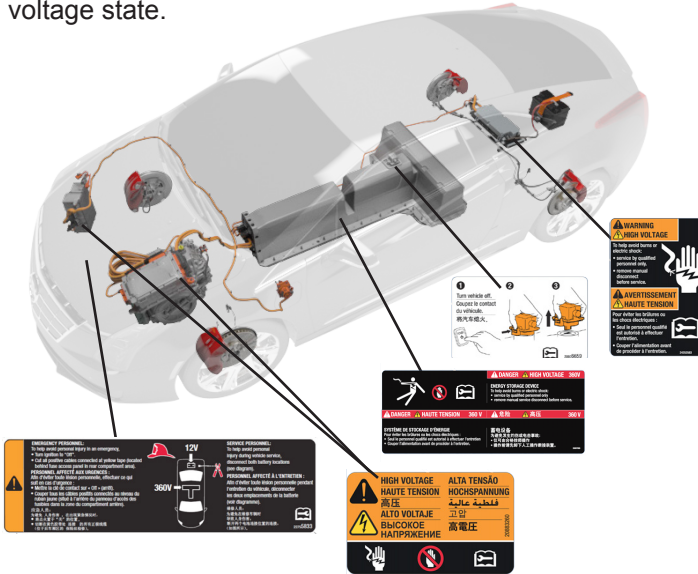
GM Service Technical College provides this QR free of charge to First Responders. This sheet can be displayed in a classroom as long as it is represented as GM information and is not modified in any way.

For information regarding modification of GM's First Responder Information for other uses, contact GM's Licensing Manager at: GM Licensing Program Headquarters • 5775 Enterprise Ct. • Warren, MI 48092 • Attn: Licensing Coordinator

## High Voltage Labels

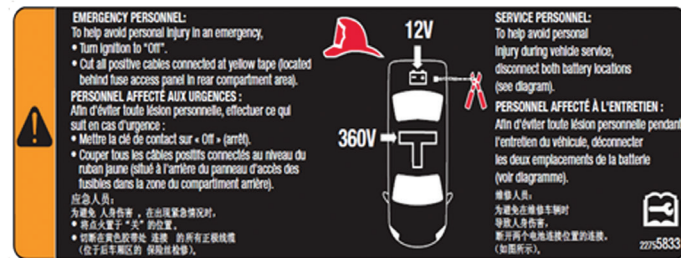
The Cadillac ELR features a series of high voltage labels that enable quick identification of potential electrical hazards. The labels are attached on each high voltage component.

The labels are color coded to indicate the potential high voltage state.



## High Voltage Labels

The emergency / service personnel warning label is affixed at the front of the engine compartment and provides specific procedures for emergency personnel.



## High Voltage Labels

The high voltage danger labels are red and indicate that high voltage is present at all times. These labels are located on the high voltage battery.



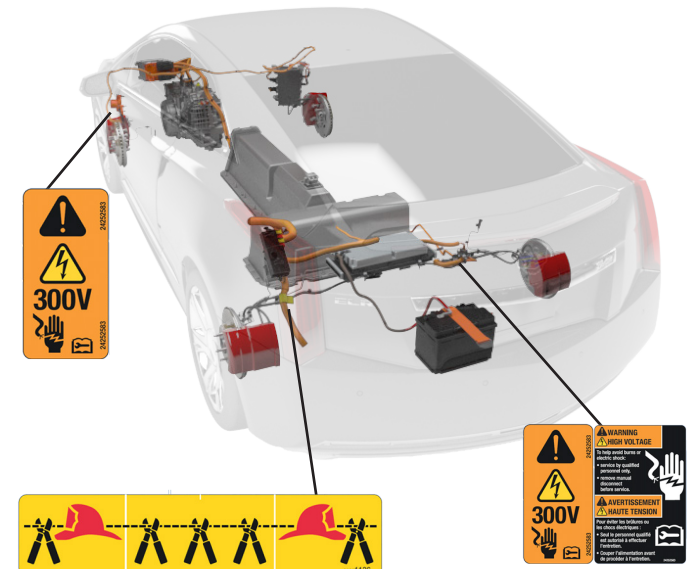
## High Voltage Labels

The high voltage warning labels are orange and indicate a potential shock hazard if high voltage is not properly disabled. The labels are located on all high voltage components with the exception of the high voltage battery which utilizes the danger label.



## High Voltage Labels & First Responder Tags

The First Responder cable cut tag is wrapped around the low voltage positive battery cable and is located in the rear compartment behind the fuse panel door. To help ensure that low voltage is not holding the high voltage contactors closed, cut the cable before any extrication work is performed.



The ELR has labels to help First Responders safely disable the vehicle in an emergency situation. The cable cut tag is yellow and wraps around the low voltage positive cable to indicate where emergency personnel must cut the cable.



## To Disable the 12 volt Power

1. Press the Power button on the center instrument panel to turn OFF the ignition.
2. Cut the 12 volt positive battery cable at the yellow tag cut position. The cable is identified by the yellow First Responder tag. The tag is located behind the left rear closeout panel in the rear compartment of the vehicle.

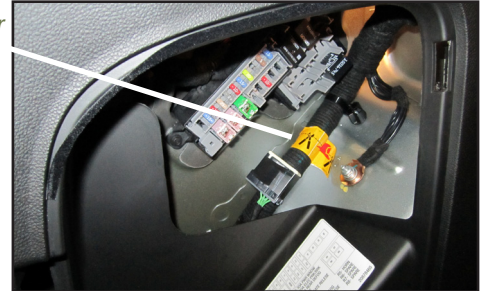
**Note:** After disabling 12 volt power, wait 1 minute to allow any un-deployed airbag reserve energy to dissipate. Then cut the low voltage cable harness on the left side of the rear compartment behind the access door.

### Important:

Cut through the red positive low voltage cable on each side of the tag to remove a section of the cable to ensure they cannot inadvertently reconnect.



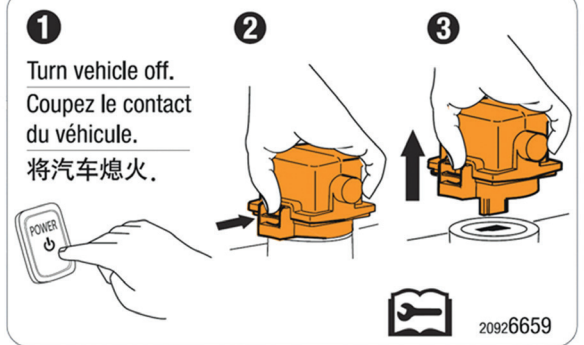
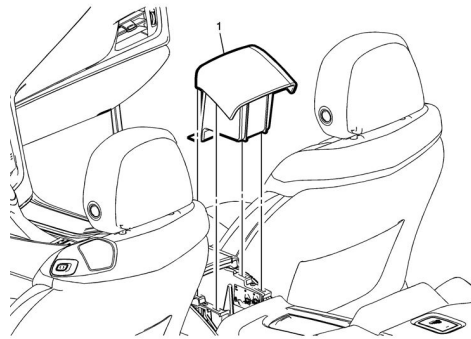
First Responder  
Cut Tag



## Disabling a Cadillac ELR

The Manual Service Disconnect (MSD) may also be removed to further ensure the high voltage circuits are open. Pull up on the center rear compartment box (1) illustrated below, and remove the MSD according to the label. The MSD physically interrupts the high voltage cables internal to the battery.

**Note:** There is high voltage present within the battery at all times even when the MSD is removed.



## Charging System

In the event a Cadillac ELR is involved in an incident while the battery charger is plugged in for charging the battery, remove the charge cord from the car using the charger cord handle at the charge port in the left front fender. If that cannot be accomplished, the electrical power to the charge cord should be terminated at the source.



## High Strength Steel

The ELR has been designed to protect the occupant(s) during a collision. The body structure is nearly 80% high strength steel. The occupants are protected from front, rear, and side impacts by a structural cage created by the underlying vehicle structural design. Additional crumple zones protect the occupant with front, side and rear rails that are designed to crush in a crash.

