

BLANK PAGE

SECTION 00-00.45

FIRST RESPONDER GUIDE

In the event of a fire or an accident, the following actions must be performed in order to shut down the electrical system on the vehicle.

IDENTIFY VEHICLE

Determine if the vehicle is an hybrid electric vehicle, and if it is, advise all responders that an electric vehicle is involved in accident.

The following identifying features indicate that the vehicle has a high voltage battery with an electric drive system:

- High-voltage battery on the roof
- Orange high-voltage cables in the engine compartment
- High-voltage components with warning label

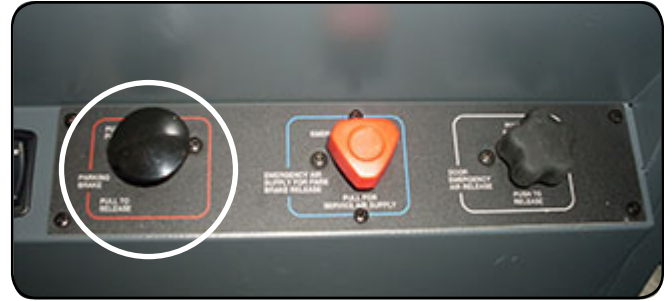


Figure 1 - Parking Brake

IMMOBILIZE VEHICLE

1. Set parking brake (See Figure 1).
2. Chock the wheels.

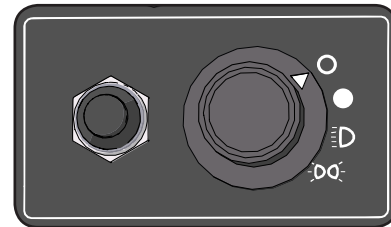


Figure 2 - Master Control Switch

DISABLE VEHICLE

PRIMARY PROCEDURE

1. Turn the master control switch to the OFF position (See Figure 2).
2. If street side engine access door is accessible, **IT IS CRITICAL TO** Turn the 12/24V battery disconnect switch to the OFF position (See Figure 3 and Figure 4).

ALTERNATE PROCEDURE

(if driver's area and street side engine access door are inaccessible)

1. Locate **yellow wire** with yellow tags on the roof of the vehicle or in the curb side engine access door (See Figure 4).
2. Cut the yellow wire. Only one cut is necessary.



WARNING

NEVER CUT, breach, or touch orange high voltage components or cabling. Doing so could result in serious injury or death.



WARNING

Operating voltage of the electric drive system is 630 volts! Lithium-ion batteries are used in the HV system.

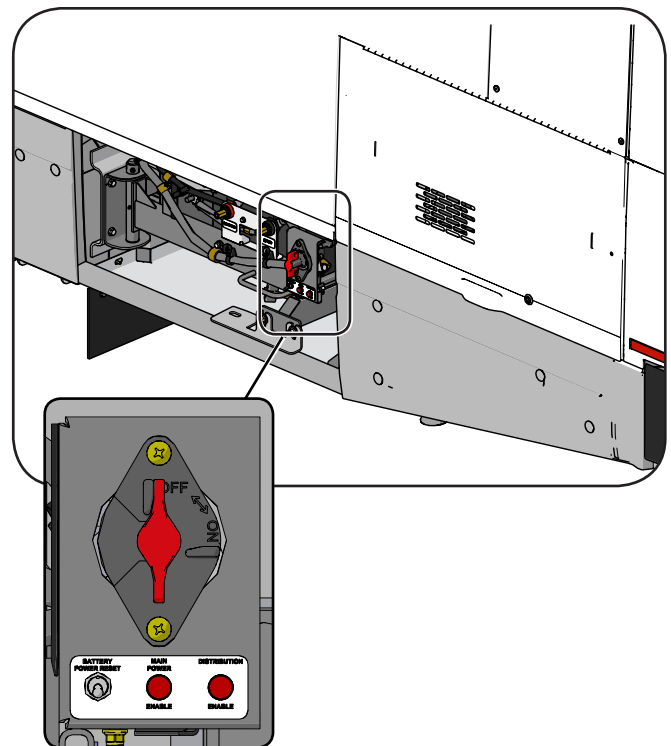


Figure 3 - 12/24V Battery Disconnect Switch

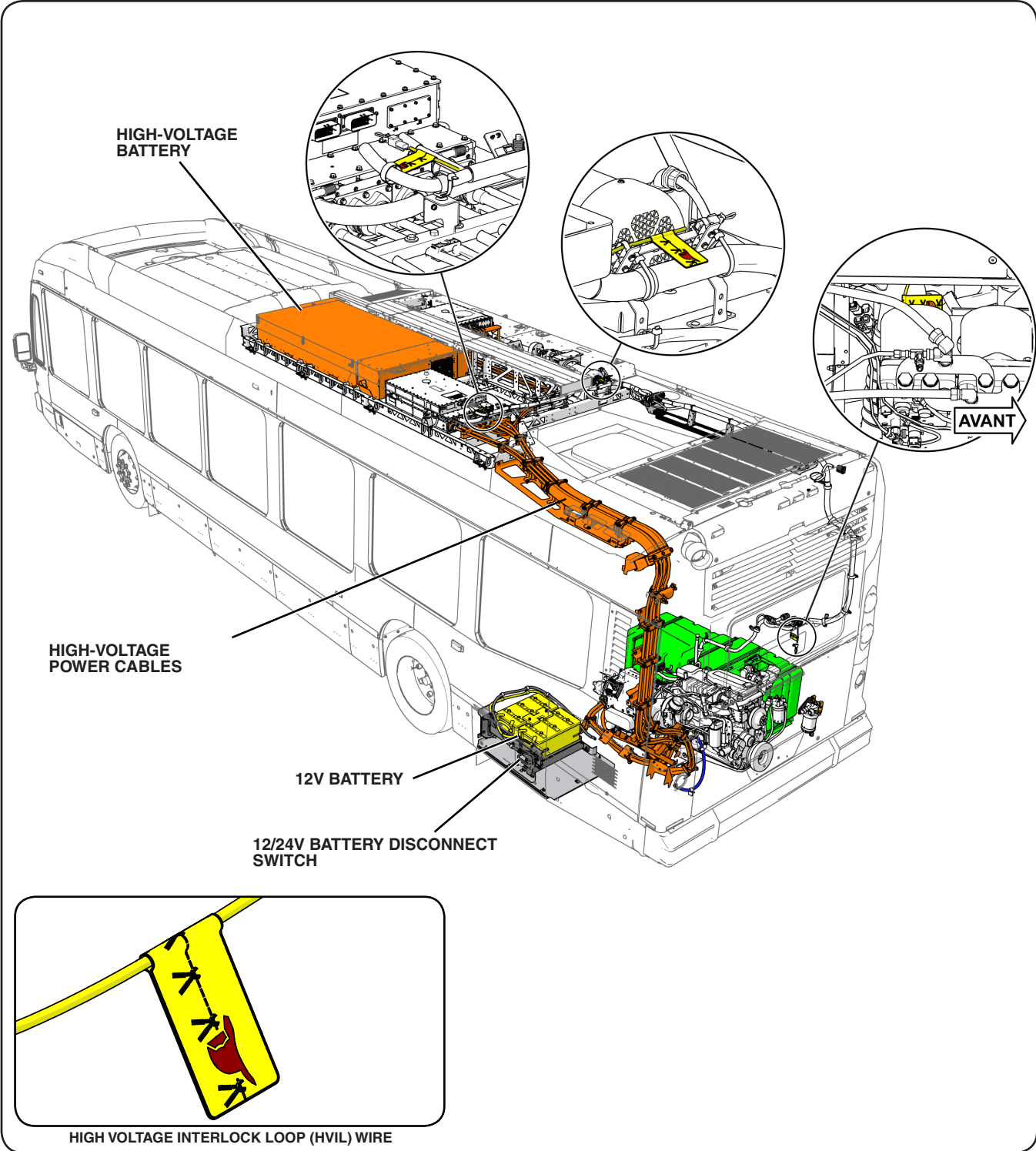


Figure 4 - Components Location