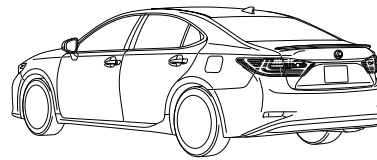
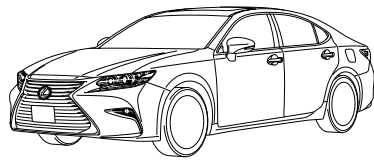


ES300h

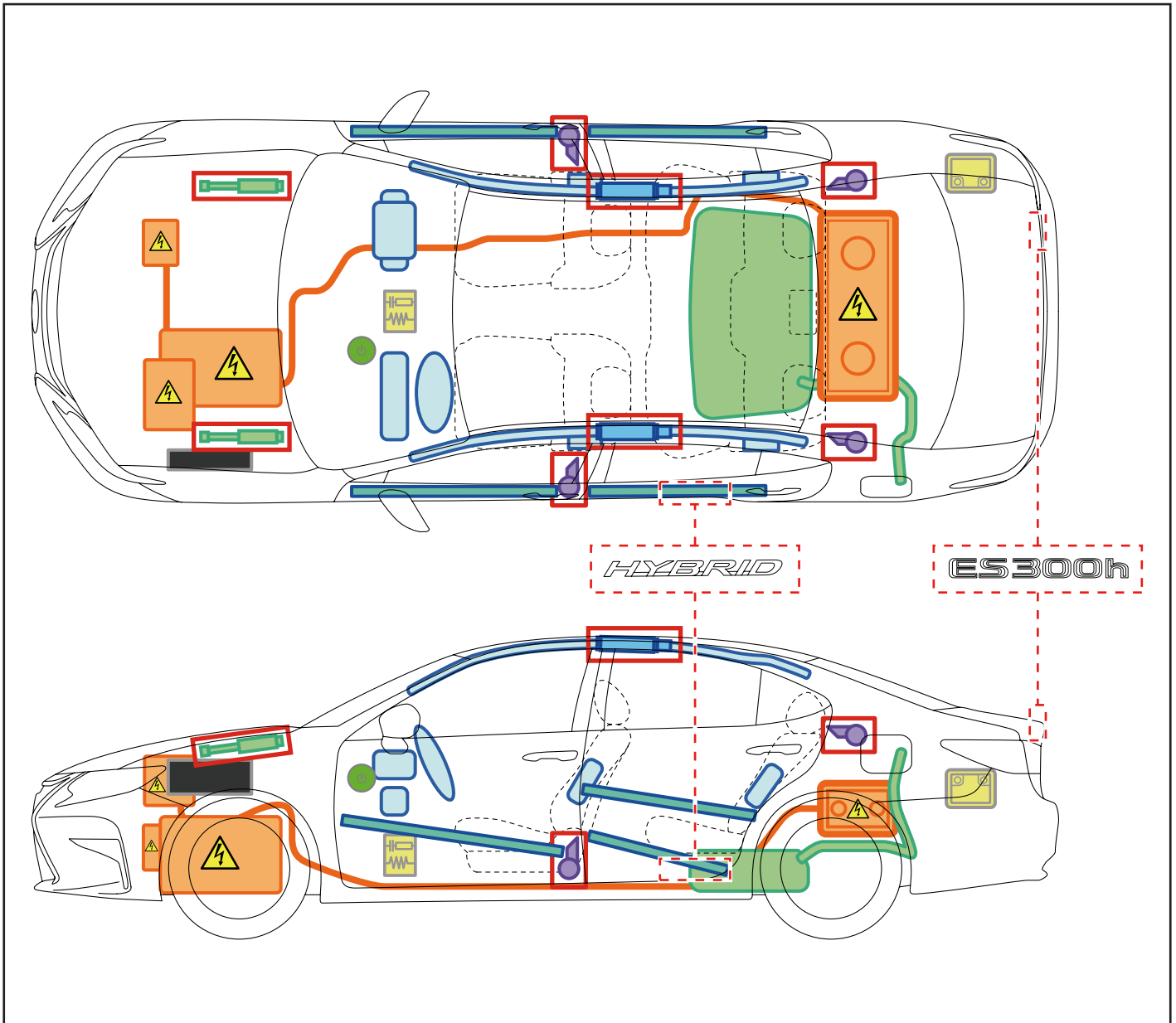
Emergency Response
Quick Guide













MY: 2016 -



LEXUS

LEXUS
HYBRID
DRIVE



	IG/POWER SW		Fuse Box		12V Battery
	Airbag (incl. Inflator)		Inflator		High Voltage Battery
	High Voltage Components		Fuel Tank		Gas-filled Damper
	Seat Belt Pretensioner (Gas Generator)		Structural Reinforcements		Airbag Computer
-	-	-	-	-	-

ESHV60_LHD_1

ES300h

Emergency Response

Quick Guide

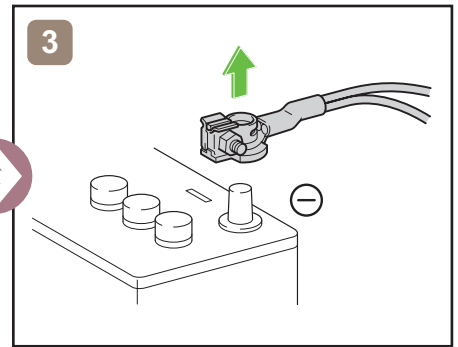
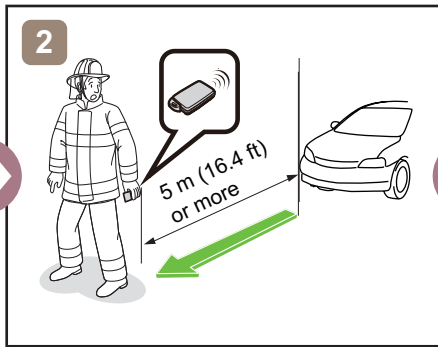
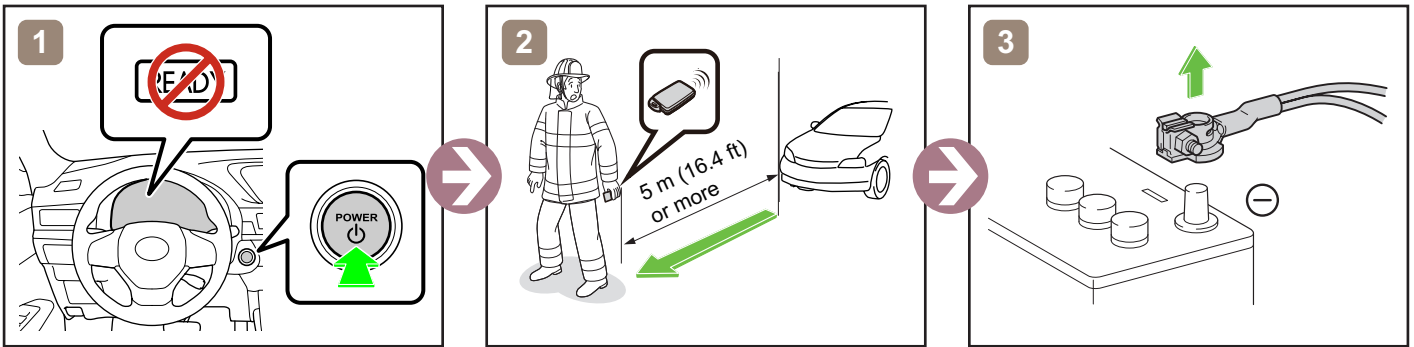
MY: 2016 -



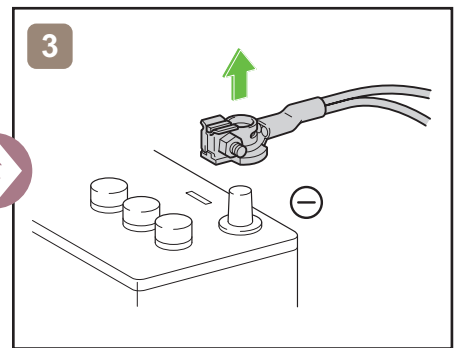
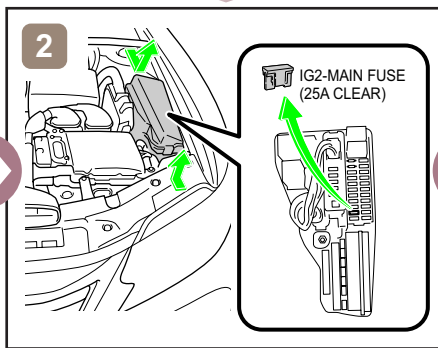
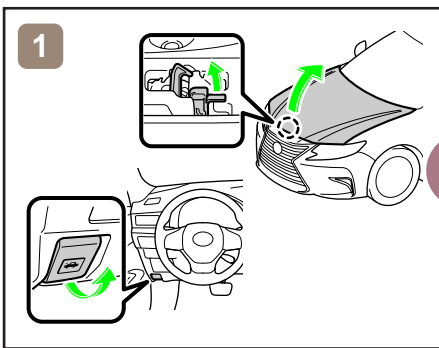
LEXUS

LEXUS
HYBRID
DRIVE

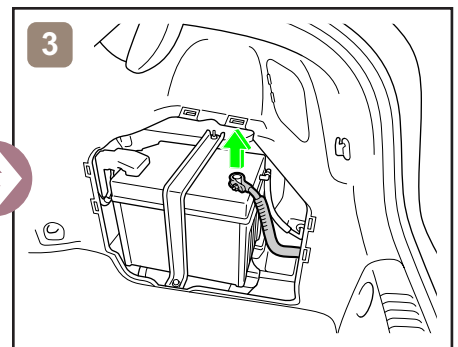
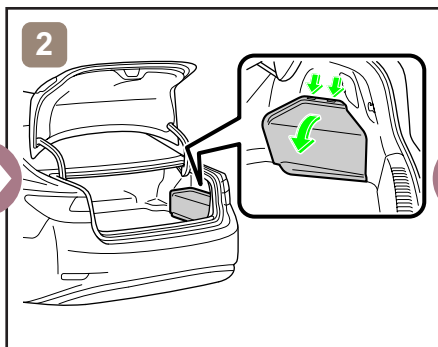
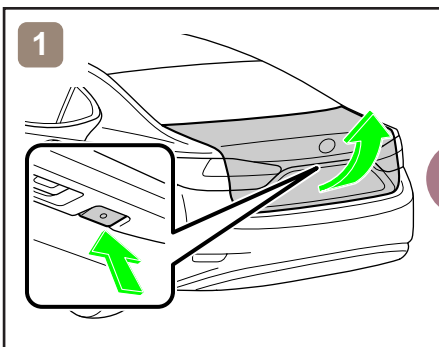
Disable Vehicle



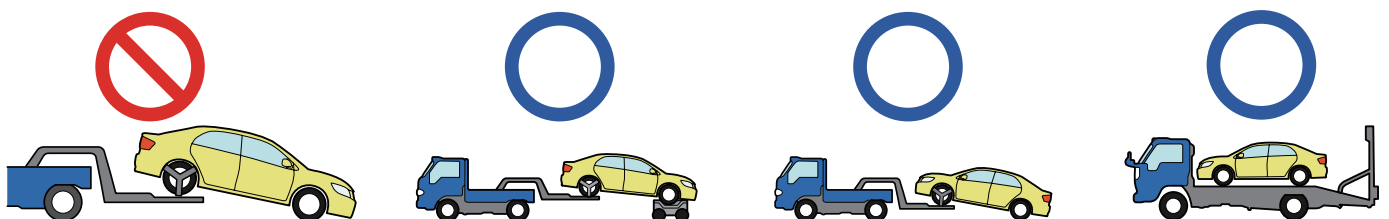
or



Access to 12V Battery



Towing Information



More details, please refer to "Emergency Response Guide".

<http://www.techinfo.toyota.com>